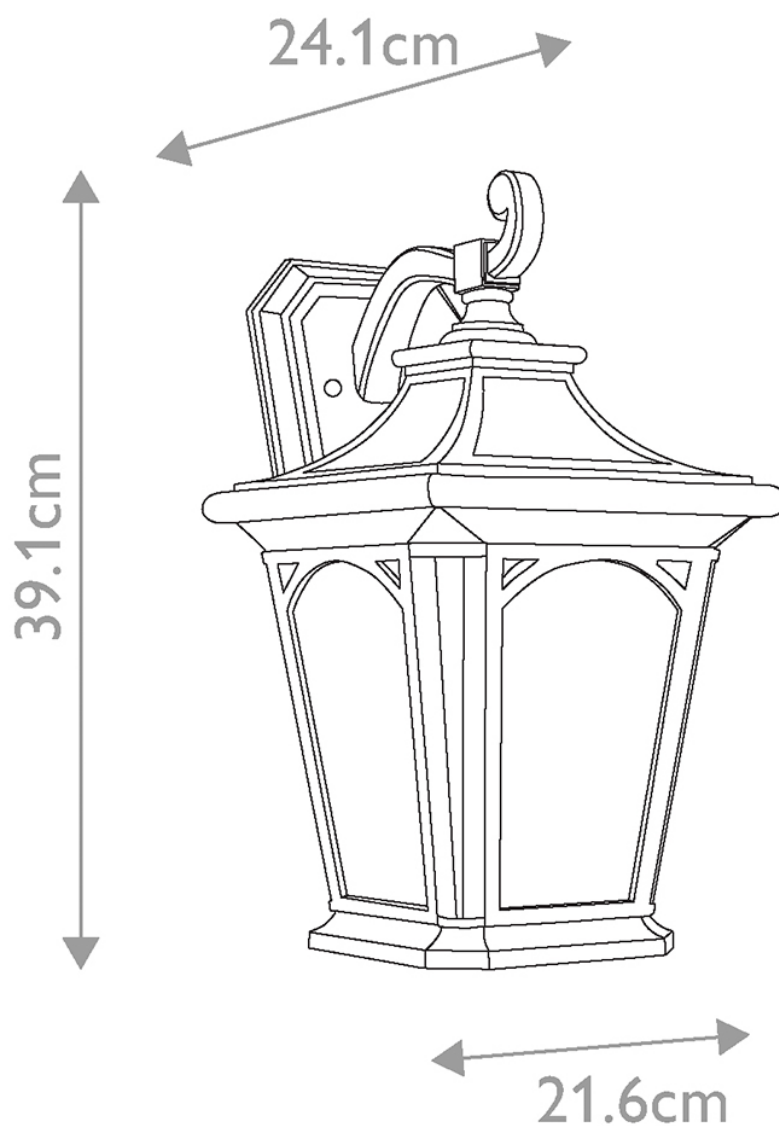


Elstead - Quoizel - Bedford QZ-BEDFORD2-M Wall Light



CONTACT