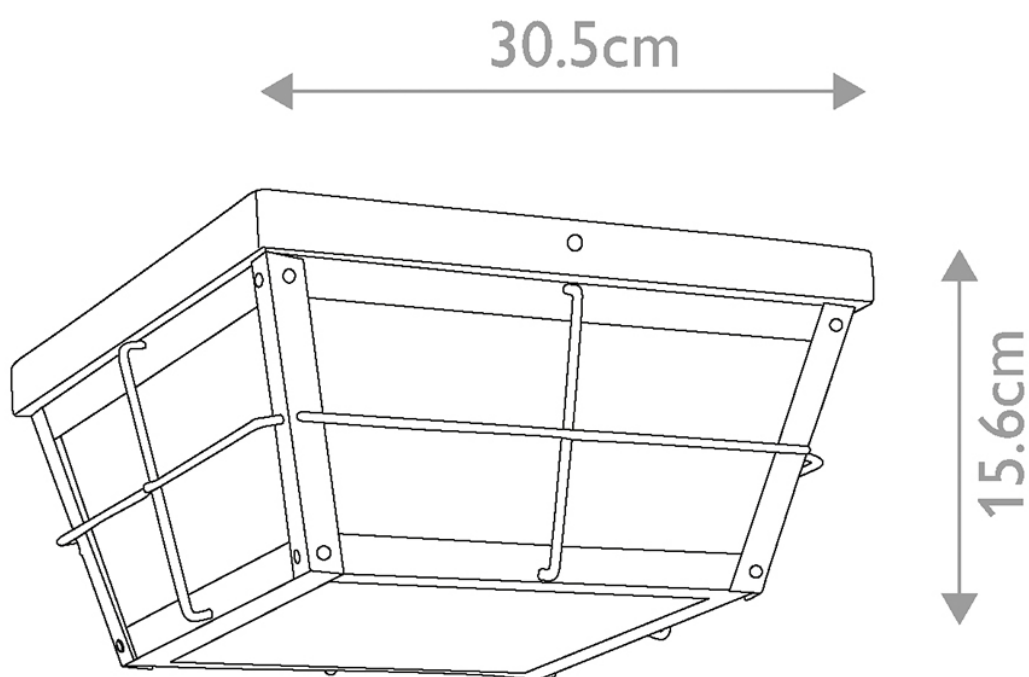


---

Elstead - Quoizel - Cortland QZ-CORTLAND-F Flush Light

---



**CONTACT**