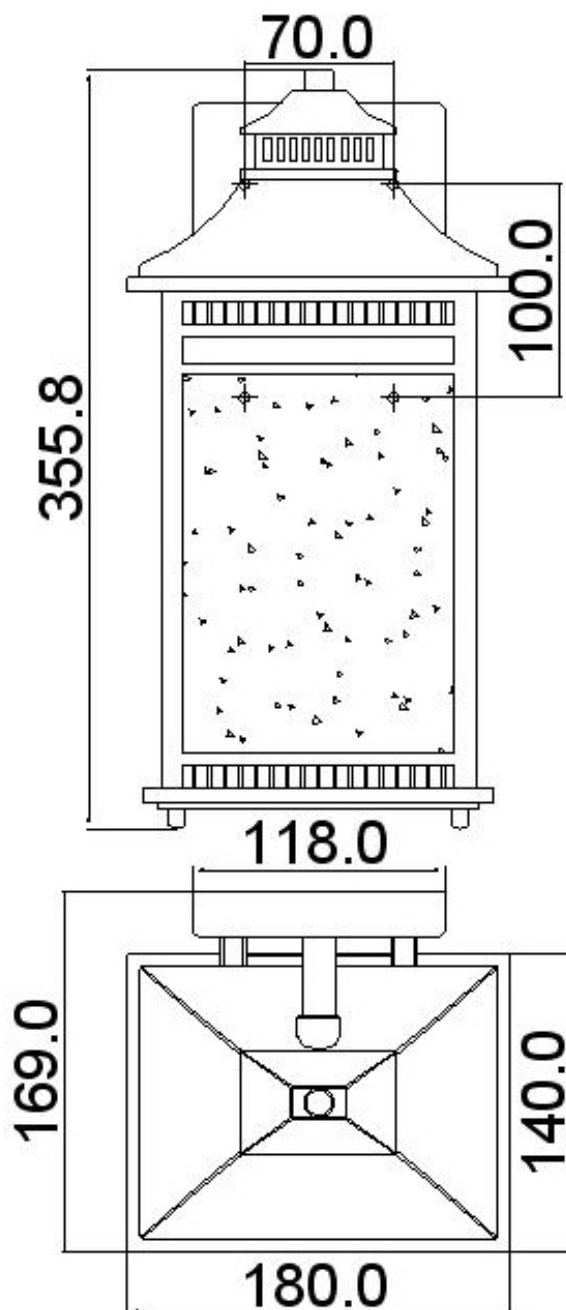


Elstead - Quoizel - Livingston QZ-LIVINGSTON2-M Wall Light



CONTACT