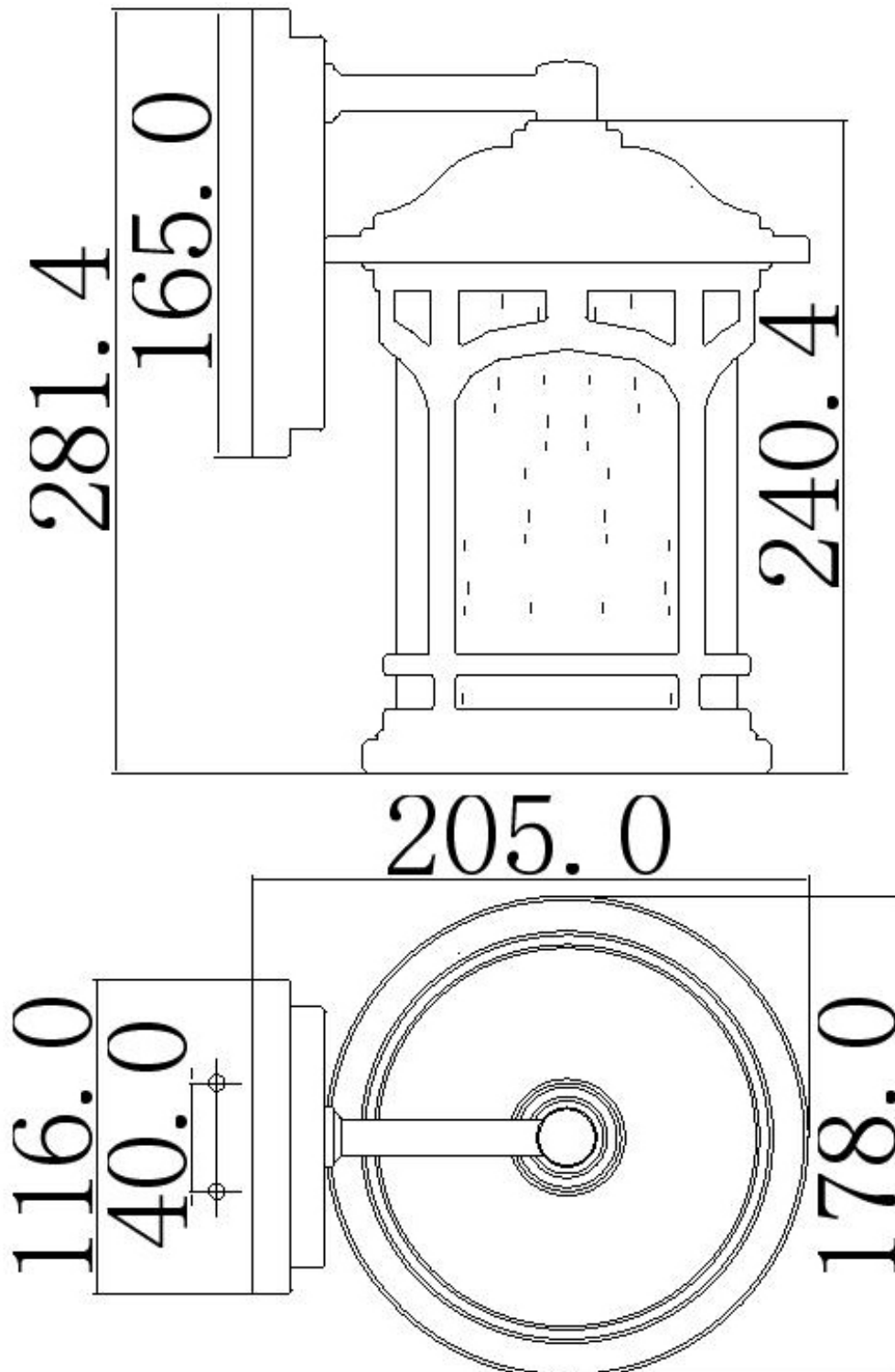


Elstead - Quoizel - Marblehead QZ-MARBLEHEAD2-S Wall Light



**CONTACT**