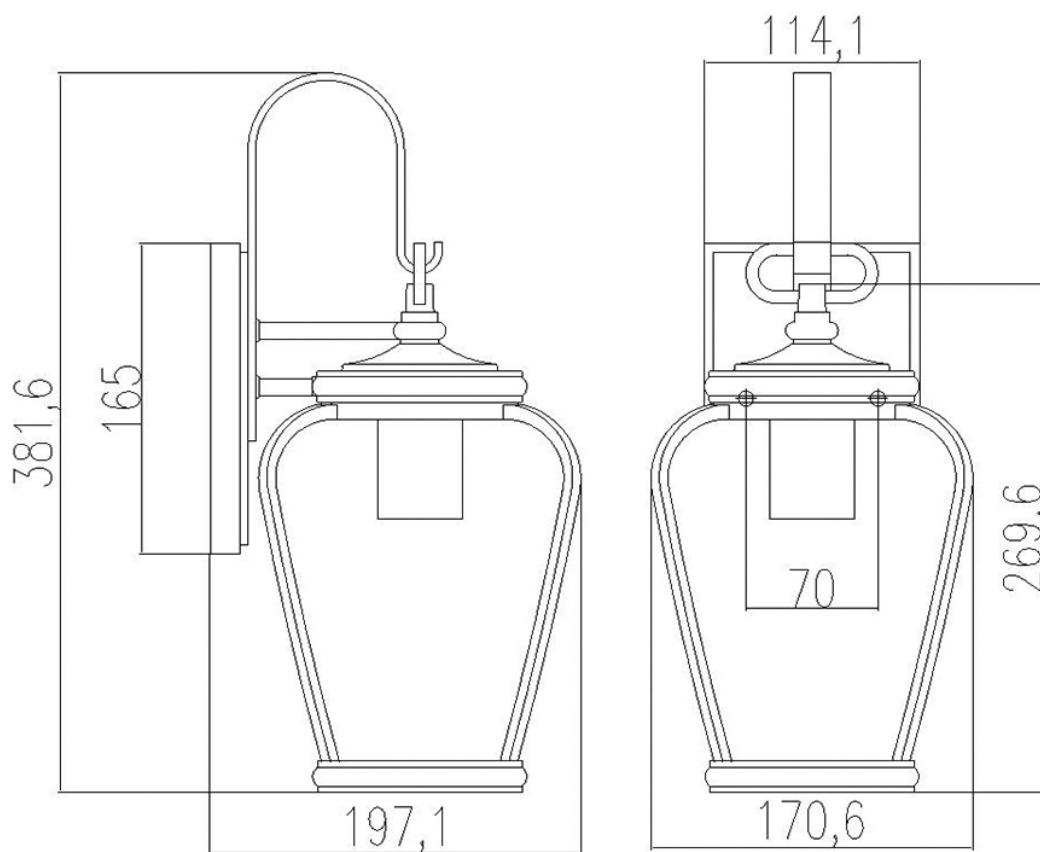


Elstead - Quoizel - Province QZ-PROVINCE2-S Wall Light



**CONTACT**