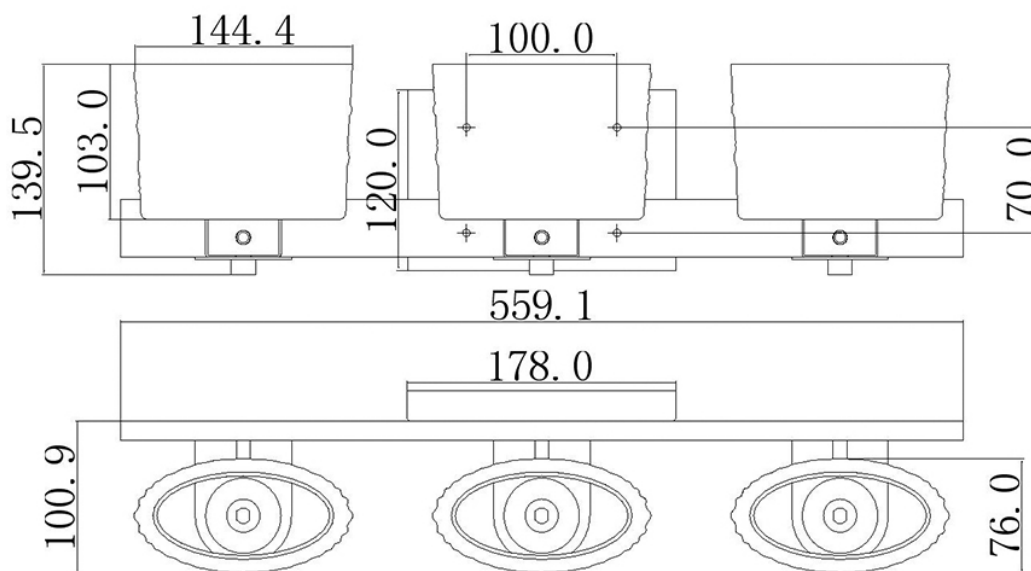


Elstead - Quoizel - Seaview QZ-SEAVIEW3-BATH Wall Light



CONTACT