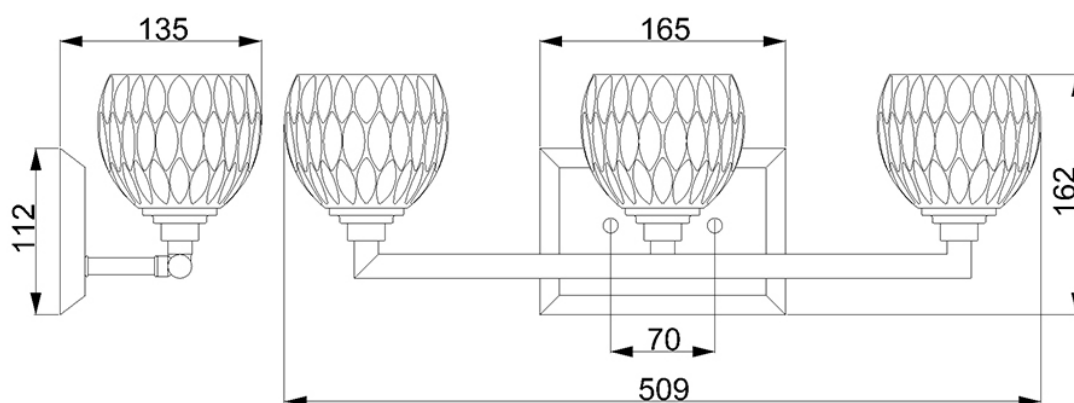


Elstead - Quoizel - Serena QZ-SERENA3-BATH Wall Light



CONTACT