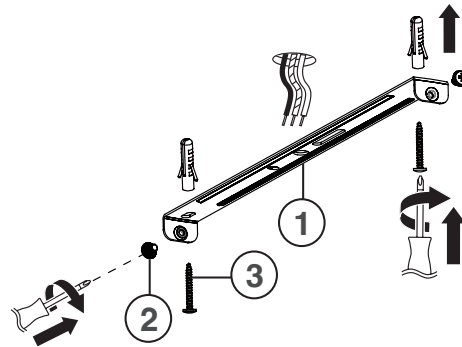


3 x 6W Max LED E14 SES (required)
Dimmable
FCL-25910

Installation

Existing fittings must be completely removed before installation of a new product. Before removing the existing fitting, **carefully note the position of each set of wires.**

- Remove the fixing bracket (1) from the fitting by removing side screws (2). Using the screws provided in the fixing pack (3), secure the fixing bracket to the ceiling, making sure that there is a joist at the point of fixing to support the weight of the product. Take care to avoid damaging any concealed wiring and pipes.



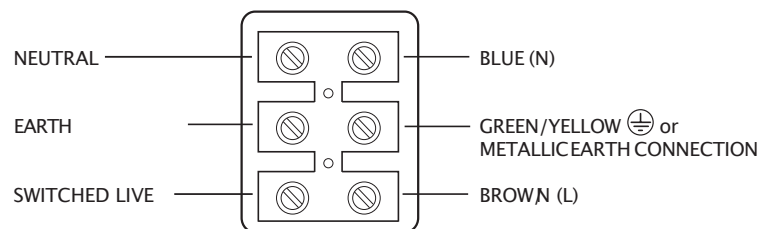
Wiring

Having correctly identified the wiring from your existing light fitting, pull the wire through the hole and connect

to the connection block inside the product in the following way:

HOUSEHOLD SUPPLY

LIGHT FITTING



Check that..

- You have correctly identified the wires.
- The connections are tight.
- No loose strands have been left out of the connection block.

- When completed, ensure that there are no bare or loose strands of wire exposed, and cover all exposed areas of the connection block with 2 layers of insulation tape.

Commissioning

- This product has "L" shaped fixing holes to allow easy fixing to the fixing bracket. Locate the "L" slots (4) around the small screws (2) on the fixing bracket (1). Rotate the ceiling cover to attach the product to the strap. Tighten the screws to secure. Take care not to trap any wiring.
- Fit the bulbs. **Note: Never fit bulbs of a higher wattage than specified on the label.**
- Replace fuse or circuit breaker and switch on. Your light is now ready for use.

- Spotlight heads can be angled to the desired position. Loosen the wing nut, adjust the head and re-tighten the wing nut to secure the head in place.

