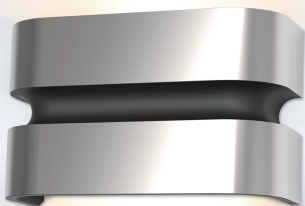




5198302001

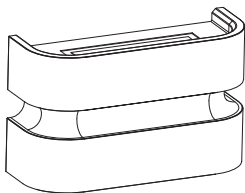
User manual
Bedienungsanleitung
Mode d'emploi
Handleiding
Manuale
Manual del usuario
Használati utasítás
Instrukcja obsługi



LUTEC 

The logo for LUTEC, consisting of the word 'LUTEC' in a bold, black, sans-serif font, followed by a green graphic element that resembles a stylized leaf or a partial circle.

Incl.



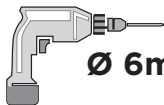
x 2



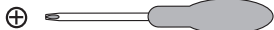
x 2

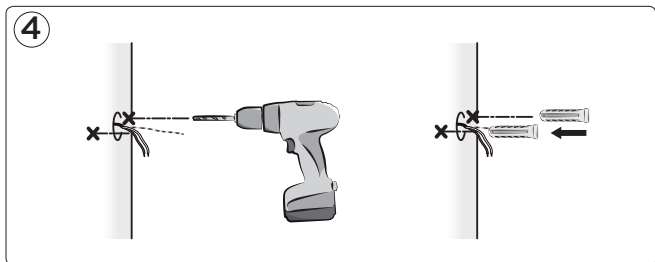
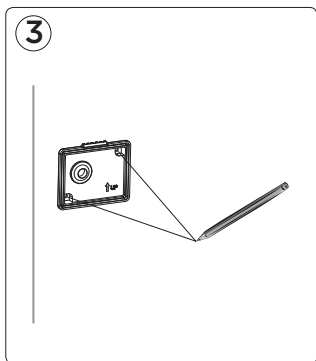
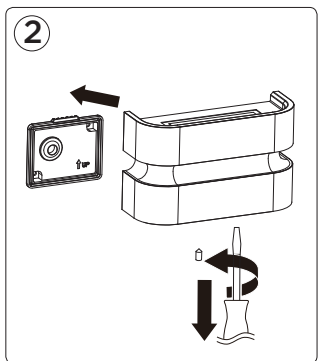
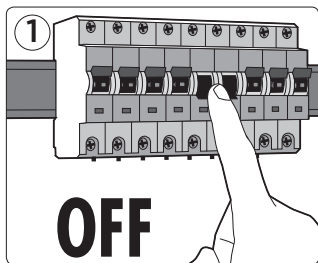


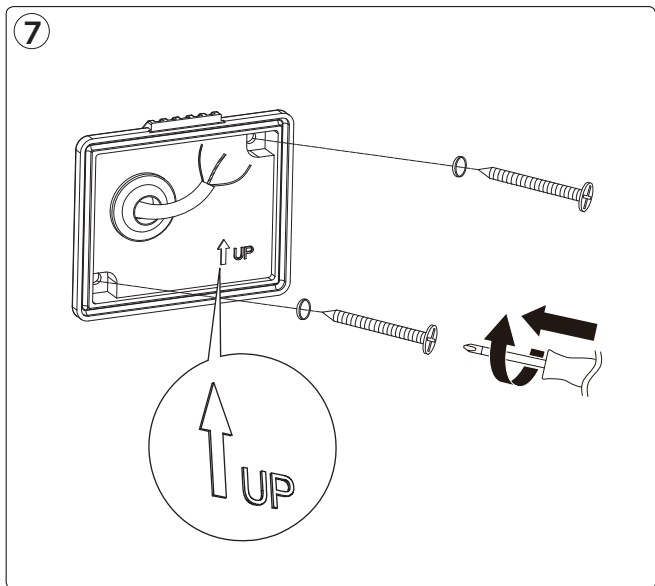
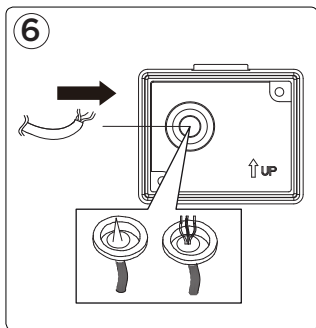
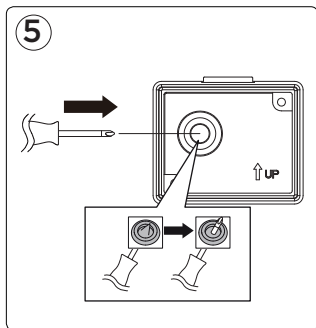
x 2



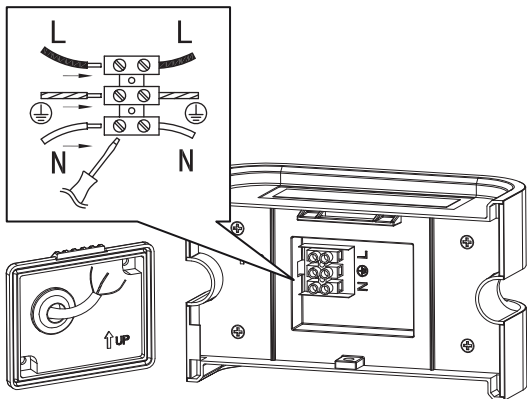
Ø 6mm



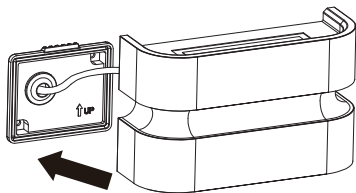




8



9



5



LUTEC Europe NV

Herentalsebaan 425
B-2160 Wommelgem - Belgium
+32 3 284 51 62
info@lutec-europe.com
www.lutec.com



www.lutec.com/services/global-network