

INTRODUCTION

Thank you for purchasing this item

Please ensure you have the kit in your possession before commencing any form of installation

Please read our instructions carefully before commencing any installation to ensure safe and satisfactory operation of this product

This item is not like a pre-assembled Christmas light set, and WILL NOT automatically work once plugged in straight out of the box

Before installation please visually check all components including plug, cable, driver and heads for damage

If any part looks damaged, the product should not be installed or used

KEEP THESE INSTRUCTIONS FOR FUTURE USE

INSTALLATION INSTRUCTIONS

A

Plan your layout carefully

Ensure cables reach between driver and each head

Avoid locating cables in positions that would cause a trip hazard

Position cables away from areas where they may be at risk from being cut, trapped or damaged

Ensure the cables and connectors are accessible for future maintenance

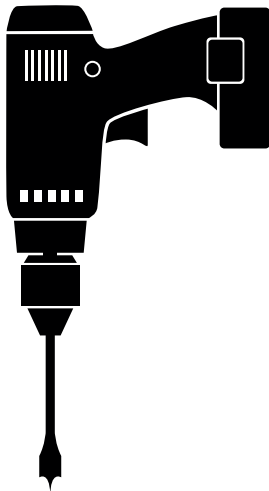
Secure any excess cable neatly using insulated staples or plastic ties

If your model has a plug-in driver, please ensure that it is situated indoors (e.g. house, garage, shed) to protect it from the elements

DO NOT ADD MORE HEADS. This kit is not designed to power an increased number of heads

You can use less than the maximum lamps as required

B



A drill bit is required to install this kit

Ensure you use the correct cutter size

Please ensure you use the correct cutter type for the mounting surface

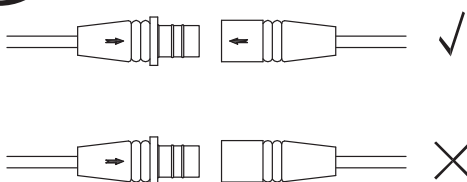
Test drill a hole in a spare piece of wood to confirm head fits securely

Drill holes for heads

Take care not to damage any pipes or cables beneath the mounting surface

LED head type	Cutter size
15mm diameter	12mm diameter
20mm diameter	17mm diameter
30mm diameter	24mm diameter
30mm square	24mm diameter
45mm diameter	32mm diameter
60mm diameter	45mm diameter

C



Connect LED heads in strict order sequence

from closest to plug to the furthest away

Feed cables for each head through drilled holes

Push head fully into drilled hole to secure

Ensure head is fully flush with mounting surface

ENSURE ARROWS ON CONNECTORS LINE UP
ENSURE CONNECTORS ARE FIRMLY PUSHED TOGETHER

CAUTION

The light sources of this kit are non-changeable light emitting diodes (LED)
Do not disassemble the product; light emitting diodes can cause damage to the eyes
Do not immerse in water

Always disconnect from the mains when installing and maintaining

This kit should be fitted by a qualified electrician in accordance with IEE wiring regulations and current building regulations

This kit is designed to be installed vertically or horizontally into a suitable mounting surface

Not suitable for installation directly into the ground

Not suitable for dimming unless by the remote controller included with all RGB kits

WARNING

Deviation from these assembly instructions may result in a risk of fire or electric shock

To reduce the risk of fire, electric shock, or injury to persons use only insulated staples or plastic ties to secure cables

Any modifications made to this kit will void manufacturers warranty

CARE & MAINTENANCE

It is recommended to regularly spray on or apply by a cloth a water displacing oil to clean and protect the metal surfaces of the LED heads

This will provide protection from the elements especially if living near the sea

Sea air & other corrosive elements will inevitably tarnish stainless steel over time, but following this advice will prolong the life of the product

If part of the product is damaged, it cannot be repaired and must be destroyed

Waste electrical products should not be disposed of with household waste. Please recycle where facilities exist

Check with your local authority for recycling advice

ACCESSORIES

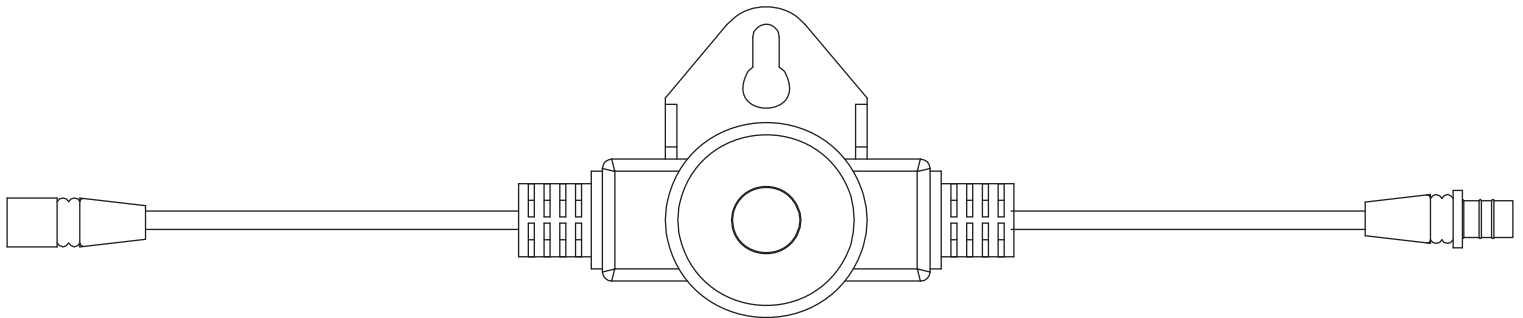
55820 IN-LINE PHOTOCELL

When installed between the power lead and first LED head, the in-line photocell (alternatively known as a dusk 'til dawn sensor) will turn the kit on when it starts to get dark and off again when it starts to get light. 30 Lux on, 30 Lux off

Install between the included 5m extension lead and first LED head, in an unobstructed position (in direct sunlight is not necessary)

This accessory can only be used with warm white, cool white or blue kits. It cannot be used with any RGB (colour changing) kits

For the 30 head kits only, 2 x photocells are required; one for each splitter cable included in the kit



57688 10M power extension lead

This accessory extends the distance between the power source and first head by a maximum of 10m

This accessory can only be used with warm white, cool white or blue kits. It cannot be used with any RGB (colour changing) kits

This accessory is installed between the driver connector and the 5m extension lead

For the 30 head kits only, 2 x 10m power extension leads can be used in parallel from the power splitter cable included in the kit



57689 1M head to head extension lead x 5

This accessory extends the distance between up to 5 heads by 1m

The accessory pack contains 5 x 1m extension leads

This accessory can only be used with warm white, cool white or blue kits. It cannot be used with any RGB (colour changing) kits



TROUBLE SHOOTING

It is highly unusual to have faulty LED lamps and issues with installing and using these kits
On those rare occasions, please use these instructions, and be patient!

All LED kit connections

LED Heads that do not light up?

Turn off power and unplug

Check product for any visible signs of broken or damaged parts - plug, driver, cables, connectors, receiver or LED heads

Starting at the plug lead connector and working through the complete kit, unplug each connector

Check that none of the pins inside are bent or damaged

Starting at the plug lead connector and working through the complete kit again, reconnect the connectors

Turn one connector 180° in the socket in turn until the arrows line up

Ensure the arrows moulded into each connector line up

See page 1, section C for further information

Place plug back in socket and turn on

Repeat this process until all heads are working



RGB (colour changing) LED kits only

RGB remote controller does not work ?

Ensure clear plastic tag has been removed from battery compartment

Check battery is inserted the right way round

Check LED light on front of controller flashes when a button is pressed



RGB remote controller does not work ?

Try a replacement battery if necessary

Battery required is a CR2025 3V



LED heads are not changing colour at the same time ?

Pair the controller to the in line receiver

Press buttons 1 & 2 simultaneously on the remote controller for 5 seconds

LED heads are now synchronised



LED heads are not changing colour at the same time and pairing above did not work ?

Re-code the remote the controller

Turn off power and unplug

Leave for 5 seconds

Ensure mains power is turned back on, plug back in and switch on

Press buttons 9 & 11 on the remote controller simultaneously for 5 seconds

LED heads will flash once

LED heads are now synchronised and paired



If these steps do not solve the problem you are having,
please contact the customer support team through our website or by email

FREQUENTLY ASKED QUESTIONS

My lights are not coming on ?

This item is not like a pre-assembled Christmas light set, and WILL NOT automatically work once plugged in straight out of the box
Please read our instructions carefully before commencing installation

LED heads are not lighting up ?

If the power to the plug socket is on, then this is likely to be a connector issue. Please follow the trouble shooting guide on page 3

What do you mean by "Connect in Sequence" ?

To avoid connection issues, we recommend that the kit is installed by working from one end of the kit to the other
Starting at the plug socket to the plug, leads, first head through to last head, finishing with the waterproof cap at the end on the last head

Can I use the RGB (colour changing) controller to control more than one kit ?

Yes, any number of RGB (colour changing kits) can be controlled by a single remote control
However, the limitation is that every receiver (the black box situated in-line after the plug connector) for each RGB kit must be positioned as closely together as possible of each other without any barrier between
Remote controllers will work effectively within a 10m radius of the RECEIVER - NOT the last LED head

Can I dim the kit ?

White and blue kits cannot be dimmed. All RGB kits have a dimming function on the remote controller

How does the Photocell accessory work and can I use it on all kits ?

When installed between the power lead and first LED head, the in-line photocell (alternatively known as a dusk 'til dawn sensor) will turn the kit on when it starts to get dark and off again when it starts to get light. 30 Lux on, 30 Lux off
This accessory can only be used with warm white, cool white or blue kits. It cannot be used with any RGB (colour changing) kits
For the 30 head kits only, 2 x photocells are required; one for each splitter cable included in the kit

Can I bypass the driver ?

All kits with a plug in driver have been designed for use with a specific driver and cannot be removed or wired in any other way
For kits purchased with the in-line driver, the plug can be removed and terminated into a BS junction box
This should only be done by a qualified electrician in accordance with IEE wiring regulations and current building regulations

Why are some lights dimmer than others ?

Check all connections as detailed on page 3 in troubleshooting
Ensure you have not connected extra heads to the kit. These kits are designed to only work with the number of heads included in the kit
If you have connected any extension lead accessories, ensure that you have not made the complete kit longer than 30m

Can I purchase extra heads ?

No. The kits are designed to only work with the number of heads included in the kit
We recommend you purchase the kit with a larger number of heads and not use some of them
These kits can run less heads on a kit, but not more

Can I extend the length of the kit ?

You can purchase the 57689 1M head to head extension lead accessory pack
This accessory pack gives you an additional five 1m extension leads to increase the distance between a number of heads
You can purchase the 57688 10M power extension lead accessory pack
This accessory pack gives you an additional 10m power extension leads to increase the distance between the plug socket and first head
see page 2 for further detail

Can the RGB kits be set to white ?

Yes, the RGB kits have seven fixed colour options (along with the other more dynamic strobe and fade modes), one colour of which is white

Is the location of the driver and plug important ?

Yes. The LED heads themselves are IP67 weatherproof and designed to be suitable for use outside in all weathers
However the plugs themselves are designed to be situated in a more sheltered position, preferably indoors such as in the house, garage or shed to protect it from the elements
The plugs for kits with an in-line driver must still be placed indoors, but the in-line driver is fully IP67 waterproof and can be placed outdoors

What is the IP rating of the kits ?

The heads are IP67, as is the in-line driver if you have purchased one of the kits with this variation
The remote control receiver, all leads and all connectors are also IP67 and therefore suitable for outdoors
The plugs and remote controller are not waterproof and should be situated indoors

What material are the LED heads made of ?

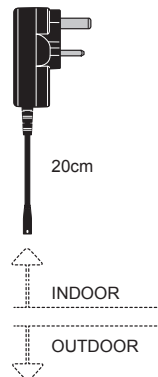
Our LED heads are manufactured using stainless steel and are corrosion resistant.
We recommend regular cleaning as detailed under Care & Maintenance on page 2

IP67 KIT - SET OF 20 - 15MM - BLUE

20 X .2W (BLUE) INTEGRATED LED

FCL-55871

12MM DIA CUTTING HOLE REQUIRED
35MM MINIMUM CAVITY DEPTH REQUIRED



20cm

INDOOR

OUTDOOR

500cm

