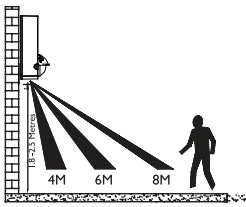
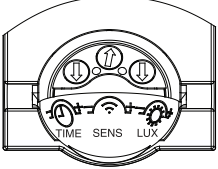


## Commissioning

- Place the light fitting over the top lip at the top of the wall back and gently push towards the wall until the light fitting is flush with the wall back. Make sure the seal is evenly spread around the wall back and metal tabs are in place to ensure ingress projection.
- Refit the light fitting with the grub screws set aside earlier. Do not overtighten.
- The top head of this product is hinged. Adjust the angle to the desired position.
- Replace fuse or circuit breaker and switch on. Your light is now ready for use.

## PIR Adjustment

- The unit must be installed in a vertical position, and fitted 1.8-2.5m above the ground.
- The PIR sensor can be adjusted, allowing the detection distance to be altered to suit the location. The detection angle is set at 120 degrees. The duration that the lamp stays on can be altered from  $(10 \pm 5)$  seconds -  $(5 \pm 1)$  minutes. The detection distance "SENS" can be adjusted up to 8m. A small tool may be required to adjust the controls. When adjusting in daylight it will be necessary to cover the sensor to simulate night time.

Adjustable up to 8 metres	PIR Adjustment
	
Detection range can be adjusted by turning 'SENS' screw	Duration the bulb stays on is adjustable by turning 'TIME' screw The sensor trigger point is adjustable by turning the 'LUX' screw.

To access the adjustment screws, flip down the black cover over the PIR sensor.

## Fitting/replacing bulbs

- The LED module in this product is non replaceable.

We recommend cleaning with a soft dry cloth.

Do not use solvents or abrasive cleaners as these could damage the finish.

Glass parts – Wash with warm water or just use a damp cloth. Do not use abrasive materials as this will damage the finish.

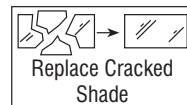
## Recycling advice



Waste electrical products should not be disposed of with household waste. Please recycle where facilities exist. Check with your Local Authority or retailer for recycling advice.

## Safety information

For your safety, always switch off the supply before changing lightbulbs, or cleaning.



The LED module is protected by a shade. The shade cannot be replaced, if the shade becomes cracked or damaged, this light fitting must be discarded

Iss.1 05012016

## Instruction leaflet

# Morti PIR Wall

67686



saxby  
lighting

Thank you for purchasing this light fitting. Please read the instructions carefully before use to ensure safe and satisfactory operation of this product. Please retain these instructions for future reference.

## Warning

### This light fitting is Class 1 and must be connected to an Earth circuit

Please read these instructions carefully before commencing any work.

This unit must be fitted by a competent and qualified electrician.

Install in accordance with IEE Wiring regulations and current Building Regulations.

To prevent electrocution switch off at mains supply before installing or maintaining this fitting. Ensure other persons cannot restore the electrical supply without your knowledge. If you are in any doubt, please consult a qualified electrician.

This light fitting should be connected to a circuit with a 30mA RCD fitted.

If replacing an existing fitting, make a careful note of the connections.

This system contains non-replaceable parts and cannot be serviced. If damage occurs the part should be scrapped.

Waste electrical products should not be disposed of with household waste. Please recycle where facilities exist. Check with your local authority or retailer for recycling advice.

This product is rated at IP44.

This product is not suitable for dimming.

This product is not suitable for location in or near a marine or sea environment.

The entire unit gets hot whilst on for a period of time.

## Specification

Voltage:	240V 50Hz a.c.
Lamp:	1 x 10W LED module - 620lm
IP rating:	44

## Layout

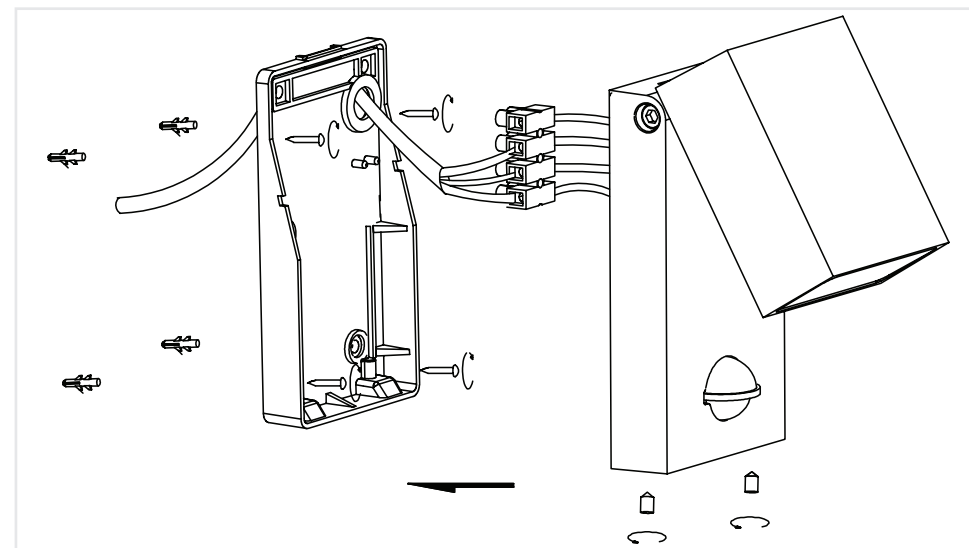
- Plan the desired layout of this fitting carefully, ensuring the cables will reach the distance between the junction box and the light fitting
- Avoid locating any cables in positions that would cause a hazard. Position cables and junction boxes (not supplied) away from areas where they may be at risk from being cut, trapped or damaged
- Cables in walls must be protected using suitable conduit or plastic trunking.
- The mains supply cable must have a minimum cross sectional area of 1.0mm<sup>2</sup>
- This product has special protection against the ingress of moisture and is IP44 rated.

## Installation

Existing fittings must be completely removed before installation of a new product. Before removing the existing fitting, **carefully note the position of each set of wires.**

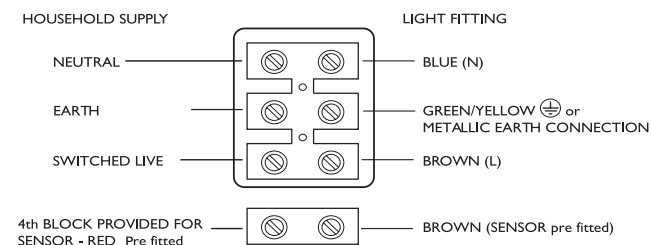
- Undo the grub screws located on the bottom of the product with the supplied allen key to separate the light fitting from the wall back. Keep screws safe for refitting later.

- Using the wall back as a template, mark the position of the mounting holes.
- Drill holes and fit supplied wall plugs (suitable for masonry only - for other surfaces use appropriate fixings). Pierce the grommet with a sharp object, such as a screwdriver and feed the incoming mains supply cable through the entry hole grommet. Fix the wall back to the wall using the supplied fixings.
- Wire as detailed below.



## Wiring

Having correctly identified the wiring from your existing light fitting and connect to the connection block inside the product in the following way:



## Check that...

- You have correctly identified the wires.
- The connections are tight.
- No loose strands have been left out of the connection block.