
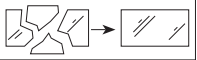
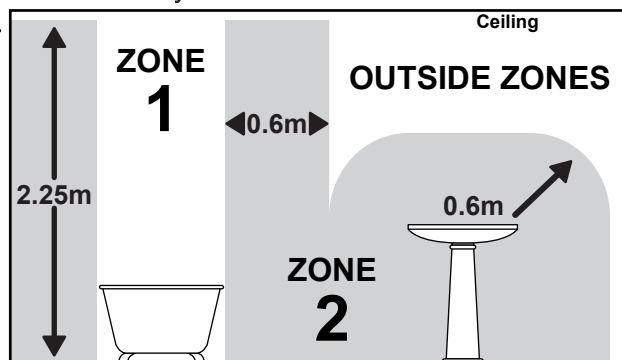


Wall Shaver Light Fitting

INSTRUCTION MANUAL

Safety Warnings

- This product is only suitable for connection to a 220-240V~50Hz supply in accordance with current IEE wiring regulations. It should be installed in accordance with local building regulations and is for domestic ceiling use only.
- Before installing your light fitting always switch off the mains supply and remove the appropriate fuse or switch off the appropriate circuit breaker before commencing installation.
- This is a Class II product , and **must NOT** be Earthed. The terminal blocks are supplied according to requirements of the fitting.
- This fitting contains non-replaceable LEDs. If the LEDs become damaged the whole unit must be replaced.
- This product has special protection against the ingress of water, and is rated IP44. If the glass or diffuser is broken or cracked it must be replaced, please consult your retailer. This is the symbol which denotes this requirement: 
- This light may be installed in Zones 1 and 2 and Outside Zones of a bathroom where water jets are not used for cleaning purposes. If installing in a bathroom, a 30mA RCD must be used in accordance with IEE Wiring Regulations and the Building Regulations. An electrician must be consulted if in any doubt about your own competency or meaning of bathroom "Zones", "Equipotential Bonding" or "RCD".
- The shaver socket is powered by a 10W isolating transformer and is only intended for use with electric shavers, electric toothbrush chargers and similar products.
- Any appliance connected to the socket must not exceed the 10W power output as this could cause damage and overheating to occur.
- Always check your appliance instructions to ensure the power requirements are less than 10W.
- If you are in any doubt about your competence please consult a qualified electrician.
- If any modification is made it will invalidate the warranty and may render the product unsafe.



Care Information

Allow 10 minutes to cool before replacing, adjusting or cleaning.
Clean with a dry cloth only. Do not use liquid or abrasive cleaners on this product.

Assembly/ User Instructions

Before you start

Please read these instructions carefully before fitting and retain for reference. Check the packaging and make sure that you have all the required parts. Follow each assembly step in order to prevent incorrect assembly. Ensure that the product is fully assembled as illustrated before use. This light fitting is not suitable for use with a dimmer switch.

Please Note:-

- The output current rating of the shaver socket is 0.1A when 110V and 0.05A when 230V.
- A replacement plastic cover is available for purchase separately - ref 80395.

The Light pack contains:

Light fitting.
Terminal connection block(s).
Fixing pack.

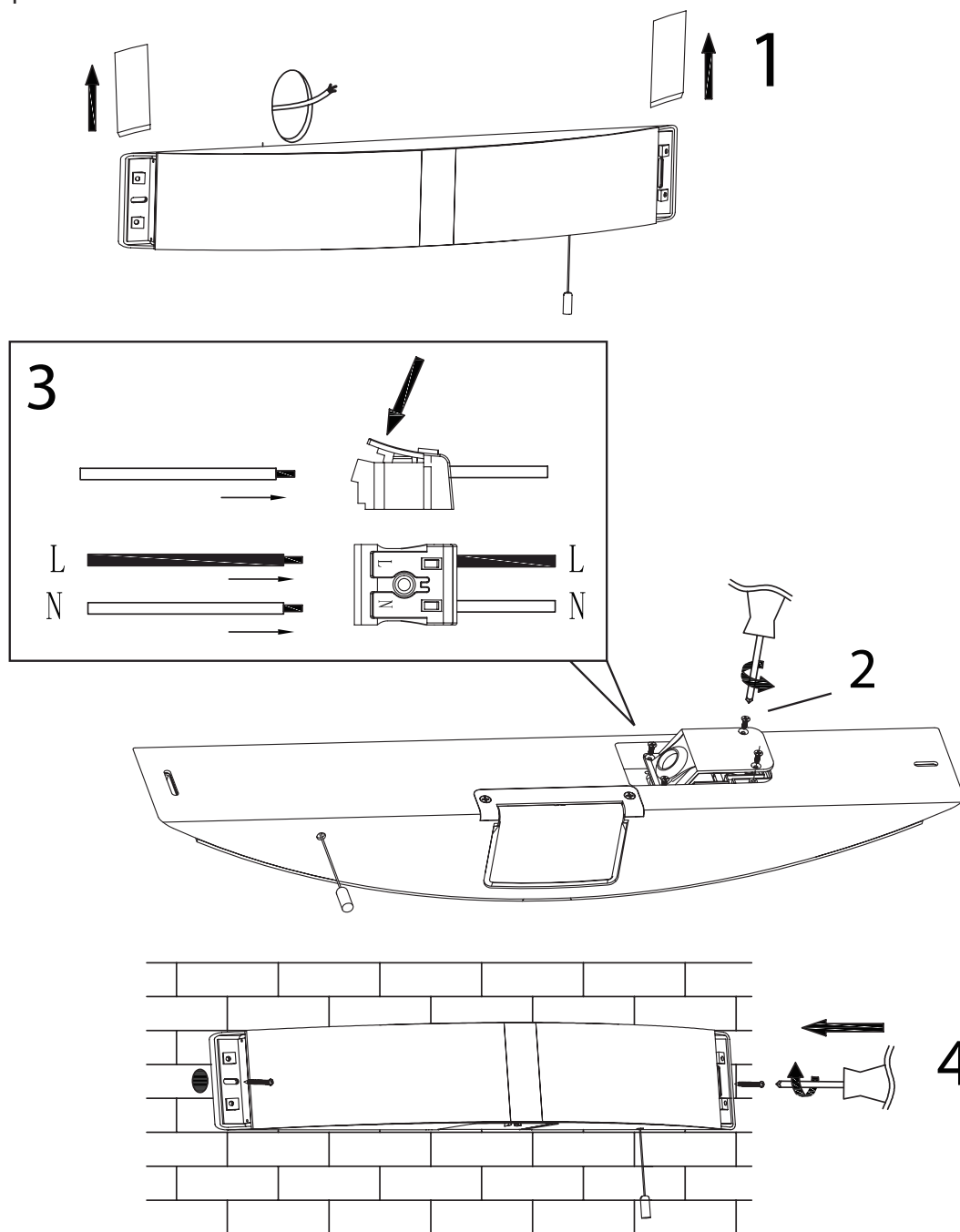
The following tools may be required:

Selection of cross and flat head screwdrivers.
Electric drill and assorted drill bits.
Wire strippers.

Assembly/ User Instructions Continued

These assembly diagrams are intended as a guide – if in doubt consult a qualified electrician.

1. Decide on the position of the light fitting, or remove existing light fitting. Note the position of the electrical connections. Ensure there is a solid mounting surface to support the weight of the light fitting.
2. Remove the two side covers (1) to reveal the mounting points, and use the fitting to mark and make the screw holes.
3. Remove the terminal cover (2), then support your fitting, feed the cable through the cover (use a pencil to pierce the rubber grommet) and connect the house wiring to the terminal block (3). **NOTE: This is a Class II fitting and must NOT be earthed.** Re-fit the terminal cover, ensuring no wires are damaged, trapped or left exposed. Check the seal, use sealant if required.
4. Secure the fitting to the wall using appropriate fixings (4) and replace the side covers removed in Point 2.
5. Turn on the power and test.



- EN Scan QR code for multi-language
- FR Scannez le code QR pour plusieurs langues
- ES Escanee el código QR para varios idiomas
- PL Zeskanuj kod QR dla wielu języków
- DE Scannen Sie den QR-Code nach mehreren Sprachen
- IT Scansiona il codice QR per multilingua



UK
CA
CE
UK Manufacturer: BH17 7BY
EU Manufacturer: Brilliant AG,
Brilliantstrasse 1, D-27442 Gnarrenburg