

Outdoor Wall Light - PIR

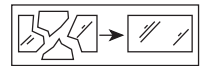
INSTRUCTION MANUAL

Safety Warnings

This is a Class 1 product and must be earthed.

- These instructions are for your safety. Please read through them thoroughly before use and retain them for future reference.
- This product is only suitable for connection to a 220-240V~ 50Hz supply in accordance with current IEE wiring regulations, and should be installed in accordance with local building regulations.
- To prevent electrocution switch off at mains supply before installing or maintaining this fitting. Ensure other persons cannot restore the electrical supply without your knowledge. If you are in any doubt, please consult a qualified electrician.
- This light fitting should be connected to a circuit with a 30mA RCD fitted.
- If replacing an existing fitting, make a careful note of the connections.
- This product contains non-replaceable LEDs. If the LEDs become damaged the unit must be disposed.
- Waste electrical products should not be disposed of with household waste. Please recycle where facilities exist. Check with your local authority or retailer for recycling advice.
- This product is rated at IP44.

The shade must be replaced immediately should it become cracked or damaged. This fitting must not be used without the shade in place.



Care Information

Do not use solvents or abrasive cleaners as these could damage the finish. **Do not clean the units with a pressure washer.**

In normal circumstances, stainless steel is very resistant to corrosion, but may require maintenance to preserve the high quality appearance. Wash the product with warm soapy water, removing all surface deposits. Rinse with clear water, and with a soft cloth, wipe dry.

In some cases, surface corrosion may arise after installation. This is normally caused by tiny iron particles left behind after the brushing process when finishing. Wash and dry as detailed above, then with a soft cloth soaked with a protective oil, wipe all over.

If the product is subject to extreme environmental conditions such as marine locations, industrial pollution, or acid rain, these maintenance procedures should be carried out around four times a year. For severe corrosion, non-abrasive cream cleaners or proprietary stainless steel cleaners should be used to remove the corrosion. Wash, dry and coat with oil, as detailed above.

Plastic parts - Remove and wash in warm water or just use a damp cloth. Do not use abrasive materials as these will damage the finish.

Assembly/ User Instructions

Before you start

Check the packaging and make sure that you have all the required parts. Follow each assembly step in order to prevent incorrect assembly. Ensure that the product is fully assembled as illustrated before use.

The Light pack contains:

Light fitting.
Terminal connection block(s).
Fixing pack.

The following tools may be required:

Selection of cross and flat head screwdrivers.
Electric drill and assorted drill bits.
Wire strippers.
Electrical insulation tape.

These assembly diagrams are intended as a guide – if in doubt consult a qualified electrician.

Layout

- Plan the desired layout of this fitting carefully, ensuring the cables will reach the distance between the junction box and the light fitting
- Avoid locating any cables in positions that would cause a hazard. Position cables and junction boxes (not supplied) away from areas where they may be at risk from being cut, trapped or damaged

Assembly/ User Instructions Continued

- Cables in walls must be protected using suitable conduit or plastic trunking.
- The mains supply cable must have a minimum cross sectional area of 1.0mm²
- This product has special protection against the ingress of moisture and is IP44 rated.

Installation

Existing fittings must be completely removed before installation of a new product. Before removing the existing fitting, **carefully note the position of each set of wires**.

- Remove mounting box (A) from product by removing dome nuts (C) and washers (D). Pull terminal block off of retaining pegs. Carefully pierce a small hole in the rubber gasket in the centre of the mounting box to allow the cable to pass through.
- Thread the cable through the hole, ensuring the drain hole is at the base of the mounting box.
- Fix the mounting box to the wall using the screws and plugs supplied (B). Ensure the wall is capable of holding the weight of the product. Take care to avoid damaging any concealed wiring and pipes. The correct fixings should be used for brick or cavity walls.
- Seal the screw fixings to maintain the IP rating of the fitting.

Wiring

Having correctly identified the wiring from your existing light fitting, pull the wire through the hole and connect to the connection block inside the product per Figure 2.

Check that...

- You have correctly identified the wires
- The connections are tight
- No loose strands have been left out of the connection block.

Commissioning

- Ensure that the cable is not snagged and seal to maintain the IP rating of the product.
- Fit the product back on to the mounting box and refit washers (D) and dome nuts (C), tighten dome nuts to secure.
- Replace fuse or circuit breaker and switch on. Your light is now ready for use.

PIR Adjustment

- The unit must be installed in a vertical position, and fitted 1.8-2.5m above the ground.
- The PIR sensor can be adjusted, allowing the detection distance to be altered to suit the location. The detection angle is set at 120 degrees. The detection distance "SENS" can be adjusted up to 8m.
- The duration that the lamp stays on, "TIME", can be altered from (10±5) seconds - (5±1) minutes. A small tool may be required to adjust the controls.
- When adjusting the sensitivity in daylight it will be necessary to cover the sensor to simulate night time.

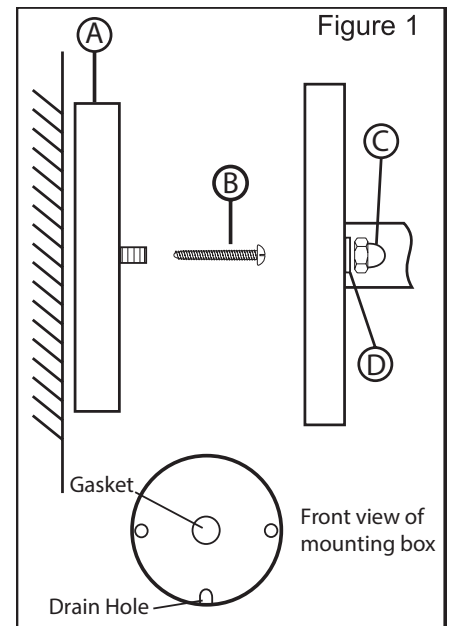
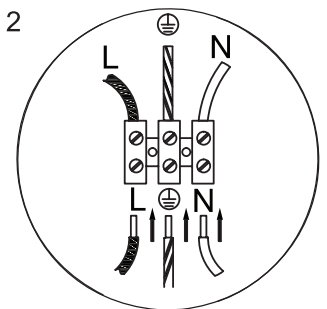


Figure 2



Adjustable up to 8 metres	PIR Adjustment
Detection range can be adjusted by turning 'SENS' screw	Duration the bulb stays on is adjustable by turning 'TIME' screw



- EN Scan QR code for multi-language
- FR Scannez le code QR pour plusieurs langues
- ES Escanee el código QR para varios idiomas
- PL Zeskanuj kod QR dla wielu języków
- DE Scannen Sie den QR-Code nach mehreren Sprachen
- IT Scansiona il codice QR per multilingua