

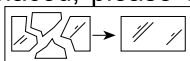
Wall Light Fitting

INSTRUCTION MANUAL

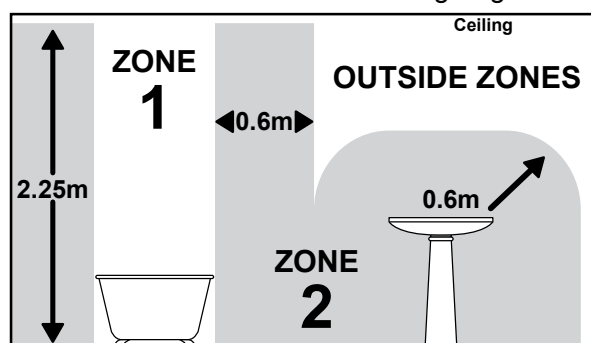
Safety Warnings

- This product is only suitable for connection to a 240V~50Hz supply in accordance with current IEE wiring regulations. It should be installed in accordance with local building regulations and is for domestic use only.
- Before installing your light fitting always switch off the mains supply and remove the appropriate fuse or switch off the appropriate circuit breaker before commencing installation.
- This is a Class I product, and **must** be Earthed. The terminal blocks are supplied according to requirements of the fitting.
- Never fit bulbs of a higher wattage than those specified on the label (as these may cause overheating and damage the fitting).
- This product contains delicate parts – be careful during handling and maintenance to avoid breakage.
- This product has special protection against the ingress of water, and is rated IP44. If the glass or diffuser is broken or cracked it must be replaced, please consult your retailer, or call (01202) 690945. This is the symbol which

denotes this requirement:



- This light may be installed in Zones 1 and 2 and Outside Zones of a bathroom where water jets are not used for cleaning purposes. If installing in a bathroom, a 30mA RCD must be used in accordance with IEE Wiring Regulations and the Building Regulations. An electrician must be consulted if in any doubt about your own competency or meaning of bathroom “Zones”, “Equipotential Bonding” or “RCD”.
- If you are in any doubt about your competence please consult a qualified electrician.
- If any modification is made it will invalidate the warranty and may render the product unsafe.



Care Information

Allow 10 minutes to cool before replacing, adjusting or cleaning.
Clean with a dry cloth only. Do not use liquid or abrasive cleaners on this product.

Assembly/ User Instructions

Before you start

Please read these instructions carefully before fitting and retain for reference. Check the packaging and make sure that you have all the required parts. Follow each assembly step in order to prevent incorrect assembly. Ensure that the product is fully assembled as illustrated before use. This light fitting is not suitable for use with a dimmer switch.

Please note: This instruction covers two styles – your individual product may vary from that below.

The Light pack contains:

Light fitting.
Terminal connection block(s).
Fixing pack.
1x Glass shade

The following tools may be required:

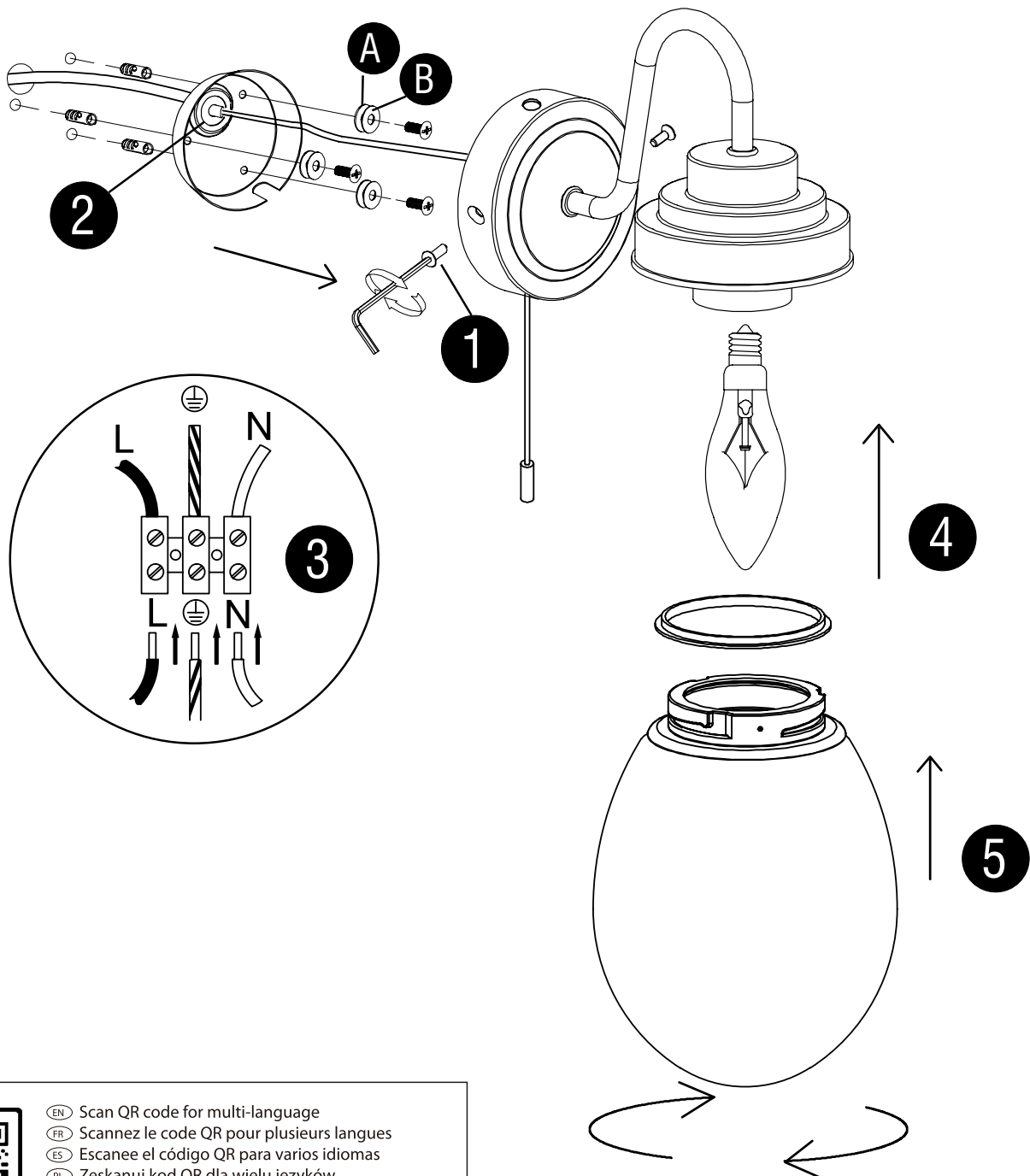
Selection of cross and flat head screwdrivers.
Electric drill and assorted drill bits.
Wire strippers.
Electrical insulation tape.

These assembly diagrams are intended as a guide – if in doubt consult a qualified electrician.

1. Decide on the position of the light fitting, or remove existing light fitting. Take note of the position of the electrical connections. Ensure there is a solid mounting surface, preferably a wooden joist or joist bridge to support the weight of the light fitting.
2. Remove the three side screws (1) using the hex key and retain for re-use.
3. Use the back box as a template to mark the screw holes. Make the screw holes and carefully pierce the rubber grommet (2).

Assembly/ User Instructions Continued

4. Pull the house wiring through the grommet and secure the back box to the wall with appropriate screw fixings, ensuring the silicon washer (A) is before the metal washer (B). Ensure the back box is level and the fitting will hang correctly.
5. Support your fitting and connect the house wiring to the terminal block - see expanded wiring diagram (3). When you are sure of the connections wrap the terminal block and overlap the wiring both sides with 2 layers of insulation tape. **NOTE: This is a Class I fitting and MUST be earthed.** Any loose terminal blocks - not secured to wall cup - should always be covered with 2 layers of good quality insulation tape. Re-fit the back box ensuring no wires are damaged, trapped or left exposed. Check the seal, use sealant if required
6. Secure the fitting over the back box by using the screws removed in Point 2.
7. Fit the bulb (4). **NOTE: Never fit bulbs of a higher wattage than those specified on the label.**
8. Fit the shade (5) by screwing into the fitting over the lampholder. To maintain protection from water ingress, ensure that the silicone seal is not pinched or trapped by the shade.
9. Turn on the power and test.



- (EN) Scan QR code for multi-language
- (FR) Scannez le code QR pour plusieurs langues
- (ES) Escanee el código QR para varios idiomas
- (PL) Zeskanuj kod QR dla wielu języków
- (DE) Scannen Sie den QR-Code nach mehreren Sprachen
- (IT) Scansiona il codice QR per multilingua