


Flush Lamp

INSTRUCTION MANUAL

Safety Warnings

- This product is only suitable for connection to a 240V~50Hz supply in accordance with current IEE wiring regulations. It should be installed in accordance with local building regulations and is for domestic indoor use only. It is not suitable for a bathroom location.
- Before installing your light fitting always switch off the mains supply and remove the appropriate fuse or switch off the appropriate circuit breaker before commencing installation.
- This is a Class II, Double Insulated product  This fitting does not require an Earth, and Live or Neutral **must not** be connected to Earth. The terminal blocks are supplied according to requirements of the fitting.
- Never fit bulbs of a higher wattage than those specified on the label, as these may cause overheating and damage the fitting.
- This product contains delicate parts – be careful during handling and maintenance to avoid breakage.
- If you are in any doubt about your competence please consult a qualified electrician.
- If any modification is made it will invalidate the warranty and may render the product unsafe.

Care Information

Allow 10 minutes to cool before replacing, adjusting or cleaning.
Clean with a dry cloth only. Do not use liquid or abrasive cleaners on this product.

Assembly/ User Instructions

Before you start

Please read these instructions carefully before fitting and retain for reference. Check the packaging and make sure that you have all the required parts. Follow each assembly step in order to prevent incorrect assembly. Ensure that the product is fully assembled as illustrated before use.

The Light pack contains:

Light fitting, and Terminal connection block(s).
Fixing pack.
Shade.
9x 'A' droplet.
3x 'B' droplet.

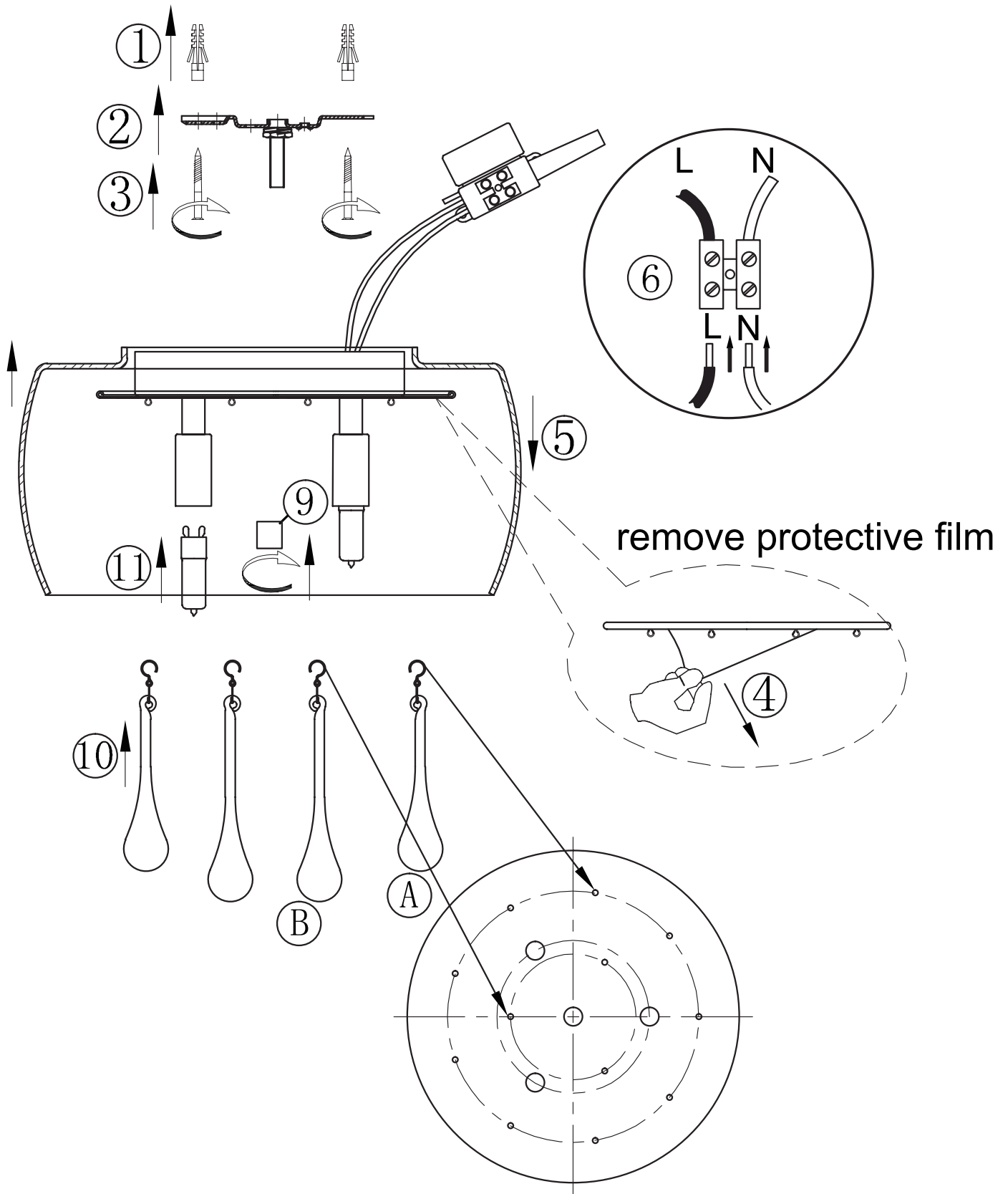
The following tools may be required:

Selection of cross and flat head screwdrivers.
Electric drill and assorted drill bits.
Wire strippers.
Electrical insulation tape.

These assembly diagrams are intended as a guide – if in doubt consult a qualified electrician.

1. Decide on the position of the light fitting, or remove existing light fitting. Note the position of the electrical connections. Ensure there is a solid mounting surface, preferably a wooden joist or joist bridge to support the weight of the light fitting.
2. Remove the finial (9) and retain for re-use. Use the fixing bracket (2) as a template to mark the screw holes. Make the screw holes and secure to the ceiling with appropriate screw fixings (1&3).
3. Remove the protective film from the light fitting (4) and lower the shade (5) over the light fitting.
4. Support your fitting and connect the house wiring to the terminal block (6) – see expanded wiring details below.
NOTE: This is a Class II fitting and must NOT be earthed.
5. Secure the ceiling cup over the bracket by using the finial (9) removed in Point 2.
6. Fit the bulbs (11), being careful not to touch it with your bare hands - use a cloth or gloves. **NOTE: Never fit bulbs of a higher wattage than those specified on the label (as these may cause overheating and damage the fitting).**
7. Fit the droplets per the diagram overleaf - "A" around the outside, and "B" around the inner.
8. Turn on the power and test.

Assembly/ User Instructions Continued



remove protective film



- EN Scan QR code for multi-language
- FR Scannez le code QR pour plusieurs langues
- ES Escanee el código QR para varios idiomas
- PL Zeskanuj kod QR dla wielu języków
- DE Scannen Sie den QR-Code nach mehreren Sprachen
- IT Scansiona il codice QR per multilingua