

Wall Lamp

INSTRUCTION MANUAL

Safety Warnings

- This product is only suitable for connection to a 240V~50Hz supply in accordance with current IEE wiring regulations. It should be installed in accordance with local building regulations and is for domestic indoor use only. It is not suitable for a bathroom location.
- Before installing your light fitting always switch off the mains supply and remove the appropriate fuse or switch off the appropriate circuit breaker before commencing installation.
- This is a Class I product and **must** be connected to Earth. The terminal blocks are supplied according to requirements of the fitting.
- Never fit bulbs of a higher wattage than those specified on the label, as these may damage the fitting.
- This product contains delicate parts – be careful during handling and maintenance to avoid breakage.
- If you are in any doubt about your competence please consult a qualified electrician.
- If any modification is made it will invalidate the warranty and may render the product unsafe.

Care Information

Allow 10 minutes to cool before replacing, adjusting or cleaning.

Clean with a dry cloth only. Do not use liquid or abrasive cleaners on this product.

Assembly/ User Instructions

Before you start

Please read these instructions carefully before fitting and retain for reference. Check the packaging and make sure that you have all the required parts. Follow each assembly step in order to prevent incorrect assembly. Ensure that the product is fully assembled as illustrated before use.

The Light pack contains:

Light fitting, with terminal connection block(s).
Fixing pack.
2x metal rods
8x hex screws
15x beaded drop
11x glass rod

The following tools may be required:

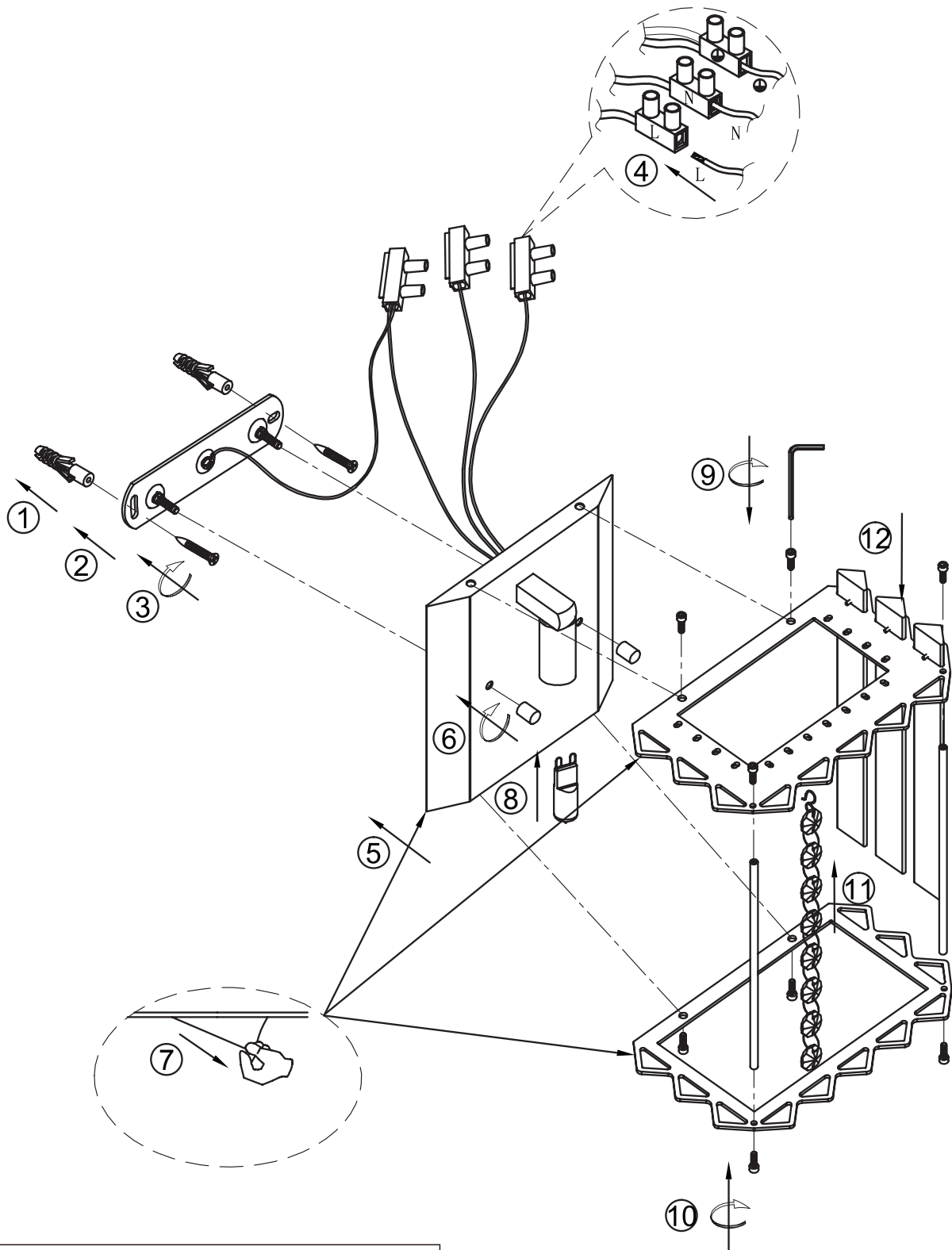
Selection of cross and flat head screwdrivers.
Electric drill and assorted drill bits.
Wire strippers.
Electrical insulation tape.

These assembly diagrams are intended as a guide – if in doubt consult a qualified electrician.

1. Ensure there is a solid mounting surface, preferably a wooden joist or joist bridge to support the weight of the light fitting.
2. Remove the protective films (7).
3. Remove the finials (6) and retain for re-use. Use the fixing bracket (2) as a template to mark the screw holes. Make the screw holes and secure to the wall with appropriate screw fixings (1&3), ensuring the bracket is correctly orientated.
4. Support your fitting and connect the house wiring to the terminal block (4) – see expanded wiring details below.
NOTE: This is a Class I fitting and must be earthed. Ensure all connectors are wrapped in two layers of good quality insulation tape.
5. Secure the backplate (5) over the fixing bracket using the finials (6) removed in Point 3, ensuring the lampholder is pointing down, as show in the diagram overleaf.
6. Secure the top frame to the back plate (9) using the hex screws and hex key provided.
7. Fit the lower frame to the top by using the hex screws to fit the metal rods (10).
8. Fit the beaded drops (11).
9. Fit the glass rods by slotting the rod into the upper frame and lower until the pin is resting on the frame, and the rod is located in the lower frame.

Assembly/ User Instructions Continued

10. Fit the bulb (8), being careful not to touch it with your bare hands - use a cloth or gloves. **NOTE: Never fit bulbs of a higher wattage than those specified on the label (as these may cause overheating and damage the fitting).**
11. Turn on the power and test.



- EN Scan QR code for multi-language
- FR Scannez le code QR pour plusieurs langues
- ES Escanee el código QR para varios idiomas
- PL Zeskanuj kod QR dla wielu języków
- DE Scannen Sie den QR-Code nach mehreren Sprachen
- IT Scansiona il codice QR per multilingua