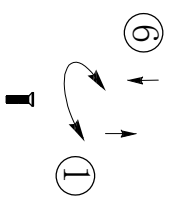
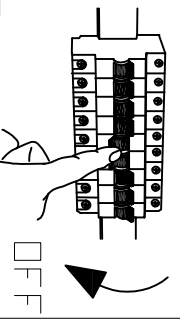
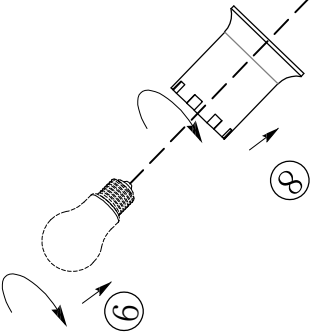
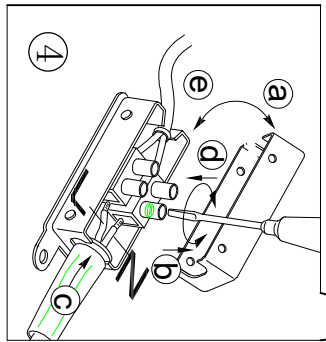
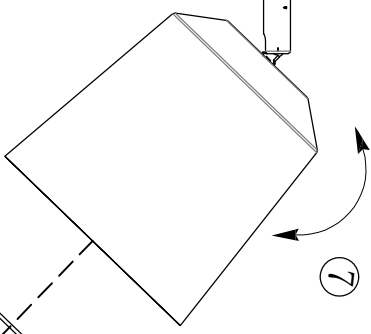
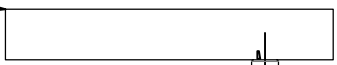
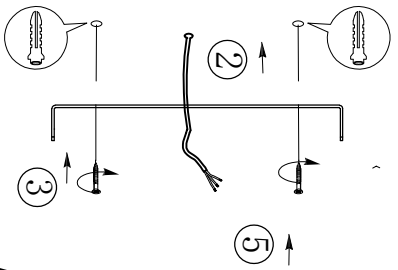
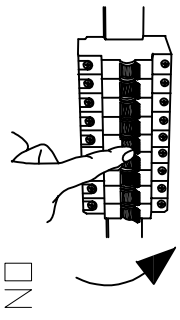


B**A****C**

B900434
www.eglo.com