


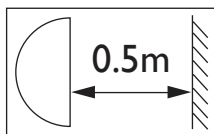
Wall Light

INSTRUCTION MANUAL

Safety Warnings

- This product is only suitable for connection to a 240V~50Hz supply in accordance with current IEE wiring regulations, and should be installed in accordance with local building regulations. It is for domestic, indoor use only, and is not suitable for a bathroom location.
- The product should be connected to a lighting circuit protected by a 5 amp fuse (or a 6 amp miniature circuit breaker).
- Before installing your product always switch off the mains supply, and remove the appropriate fuse or switch off the appropriate circuit breaker before commencing installation. Ensure that no one else has access that would enable the supply to be inadvertently reconnected.
- If the Class II, Double Insulated symbol  is on the product, then it does **NOT** require an Earth, and Live or Neutral **must not** be connected to Earth. If there is no such symbol, the product must be Earthed. The terminal blocks are supplied according to requirements of the fitting.
- Never fit bulbs of a higher wattage than those specified on the label, as these may cause overheating and damage the fitting.
- If there is a “Minimum Distance” label, do not allow flammable materials to rest within that distance from the lamps.
- If the product must not be mounted on combustible surfaces there will be the below symbol on it. If there is no symbol then the product may be mounted on any wall surface, including combustible ones.
- This product may contain delicate parts – be careful during handling and maintenance to avoid breakage.
- If you are in any doubt about your competence please consult a qualified electrician.
- If any modification is made it will invalidate the warranty and may render the product unsafe.

Minimum Distance symbol:



Care Information

Allow 10 minutes to cool before replacing, adjusting or cleaning.

Clean with a dry cloth only. Do not use liquid or abrasive cleaners on this product.

Assembly/ User Instructions

Before you start

Please read these instructions carefully before fitting and retain for reference. Check the packaging and make sure that you have all the required parts. Follow each assembly step in order to prevent incorrect assembly. Ensure that the product is fully assembled before use.

Please note - This instruction covers multiple fitting styles. While all the general steps to assemble your fitting will be the same, your individual product may vary from the diagram shown.

The Light pack contains:

Light fitting, and terminal connection block(s).
Fixing pack.

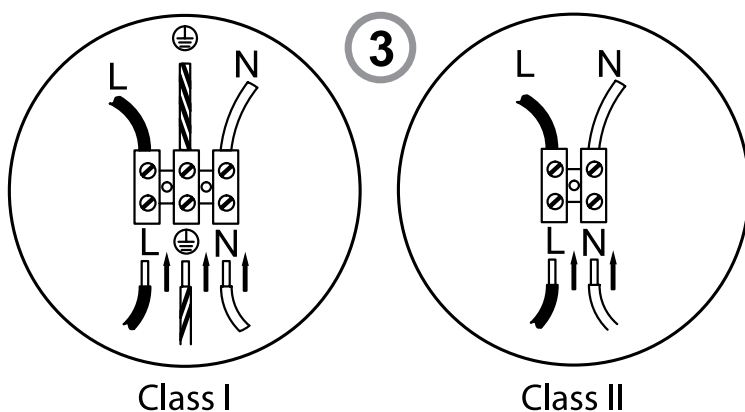
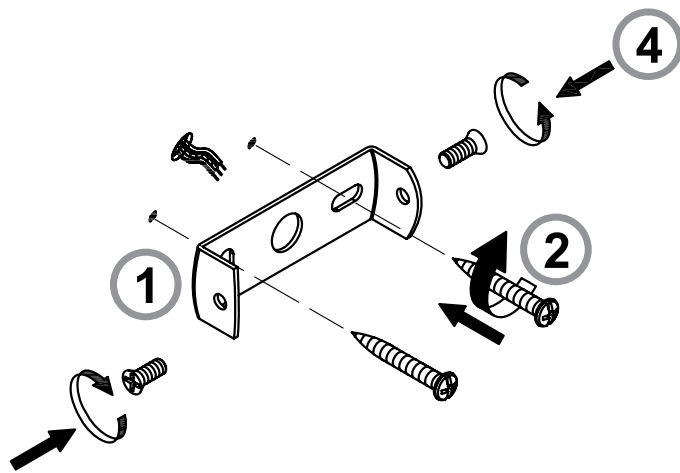
The following tools may be required:

Selection of cross and flat head screwdrivers.
Electric drill and assorted drill bits.
Wire strippers.
Electrical insulation tape.
Tape measure.

Assembly/ User Instructions Continued

These assembly diagrams are intended as a guide – if in doubt consult a qualified electrician.

1. Decide on the position of the light fitting, or remove existing light fitting. Take a note of the position of the electrical connections. Ensure there is a solid mounting surface, preferably a wooden joist or brick wall to support the weight of the light fitting.
2. Refer to the generic diagram below. Remove the two side screws (4) and retain for re-use, or partially unscrew in the case of “L” slots. Use the fixing bracket (1) as a template to mark the screw holes. Make the screw holes and secure to the wall with appropriate screw fixings (2), making sure the bracket is level and the correct orientation.
3. Support your fitting and connect the house wiring to the terminal block (3) - See expanded wiring diagrams below. When you are sure of the connections wrap the Terminal Block and overlap the wiring both sides with 2 layers of insulation tape.
4. Secure the backplate over the bracket by reversing step 2.
5. Fit any candle drips, shades, sconces or beaded drops **if appropriate for your fitting.**
6. Fit the bulb(s), being careful not to touch it with your bare hands - use a cloth or gloves. **NOTE: Never fit bulbs of a higher wattage than those specified on the label, as these may damage the fitting.**
7. Turn on the power and test.



Class I

Class II



- EN Scan QR code for multi-language
- FR Scannez le code QR pour plusieurs langues
- ES Escanee el código QR para varios idiomas
- PL Zeskanuj kod QR dla wielu języków
- DE Scannen Sie den QR-Code nach mehreren Sprachen
- IT Scansiona il codice QR per multilingua