

Assembly Instructions for Lights

Please read the instructions carefully before starting work and retain for future reference.

Always turn off the mains supply at the consumer unit, shut off the circuit breaker, or remove the circuit fuse before commencing installation.

This fixture should only be installed by a qualified electrician.

This fixture is suitable for indoor, non-bathroom, use only.

Installation:

(see FIG.1)

1 Position mounting bracket (D) centrally onto the wall (A) and mark through the fixing holes onto the wall (A). Drill pilot holes for wood screws (E) into the wall (A). Insert two plastic wall anchors (B) into the pilot holes in the wall (A).

2 Align the fixing holes in the mounting bracket (D) with the pilot holes, and secure mounting bracket (D) with two screws (E).

3 Make electrical connections in the terminal block (C) as follows: (see FIG.2)

- Connect the BROWN wire from the fitting to the BROWN/RED (live) wire of the supply cable.
- Connect the BLUE wire from the fitting to the BLUE/BLACK (neutral) wire of the supply cable.
- Connect the GREEN/YELLOW wire from the fitting to the bare ground wire in the supply cable, covered along its exposed length with GREEN/YELLOW SLEEVING.

If there is more than one supply cable present, seek professional advice.

4 Check that the terminal screws are tightened securely and that there are no stray wires.

5 Raise canopy (F) to mounting bracket (D), and then secure canopy (F) with screws (G). (NOTE: Longer tube (J1) is standby, if you installing shade (L) then using short tube (J), or else using longer tube (J1).)

6 Place shade (L) over socket (K), then secure shade (L) with retaining ring (M).

7 Install light bulbs onto socket (K). **Do not exceed the maximum wattage recommended on the lamp holder.**

8 Install crystal drop (H) onto leaves (I).

WE RECOMMEND THIS PRODUCT SHOULD BE INSTALLED BY A QUALIFIED ELECTRICIAN.

FIG.1

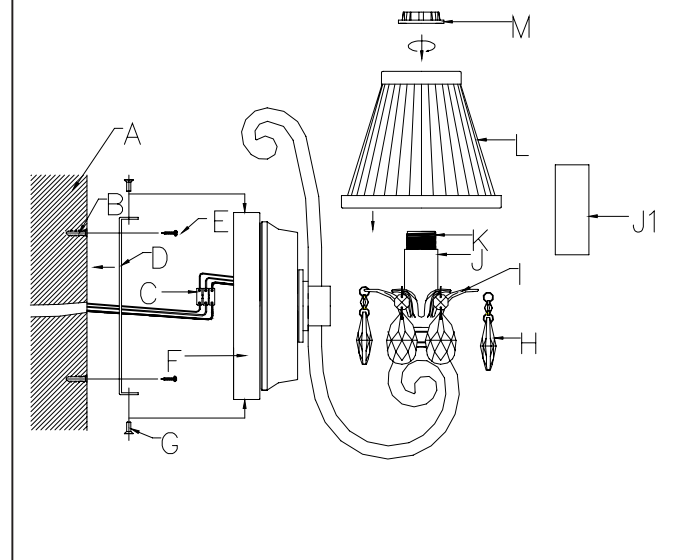
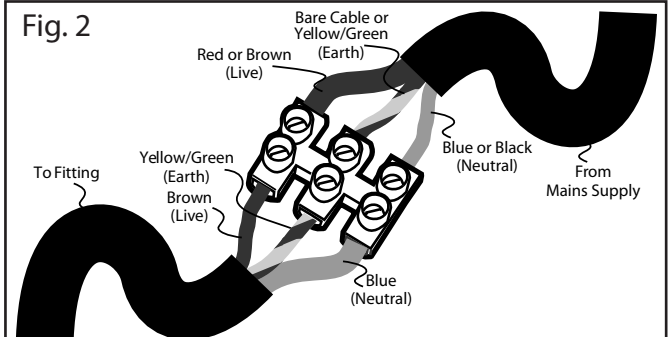


Fig. 2



If in any doubt about wiring, consult an electrician.

This instruction is suitable for item numbers:

UL1W1N

UL1W1B

UL1W2N

UL1W2B