

New Classics Collection

Assembly Instructions for Oksana 21-Light Pendant

Please read the instructions carefully before starting work and retain for future reference.

Always turn off the mains supply at the consumer unit, shut off the circuit breaker, or remove the circuit fuse before commencing installation.

This fixture should only be installed by a qualified electrician.

This fixture is suitable for indoor, non-bathroom, use only.

This fitting is heavy (18kg)! Ensure your ceiling can support the weight, and get assistance during installation.

Installation:

1. Spread the arms (Y) at equal distance from each other, as Figure 1.

Refer to Figure 2:

2. Place loops (L) to the hooks of box (K), and hooks (S) onto loops (T), on each of the three sides.
3. Install crystal drop (P) onto leaves (X).
4. If using shades (V) (not supplied), fit the shorter candle drip (N) over the lampholder (O) and secure with the shade ring (M). Otherwise fit the longer candle drip (N1).
5. Install light bulbs onto socket (O). **Do not exceed the maximum wattage recommended on candle sleeve.**
6. Weave the cable through the chain links (J). Open carabiner link (I2), connect it to fixture loop (U) and close tightly. Open carabiner link (I1), connect it to loop (R) and close tightly.
7. Use the mounting bracket (D) to mark screw holes. Thread hook (W) through the bracket (D) and tighten with nut (Q). Affix assembled bracket to the ceiling (A) using appropriate fixings (B&E).
8. Lift the fitting with assistance, and connect hook (W) to loop (F).
9. Connect the house supply to the terminal block (C), according to the wiring diagram in Fig. 3, which should be put into an approved connection box (not provided). Ensure that the terminal screws are tightened securely and that there are no stray wires. If there is more than one supply cable present, seek professional advice.
10. Raise the ceiling cup (G) to the ceiling (A) and tighten with screws (H).

This instruction is suitable for item numbers:

UL1P21N

UL1P21B

Figure 1

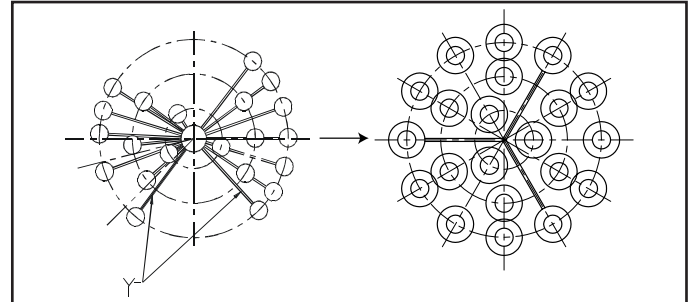


Figure 2

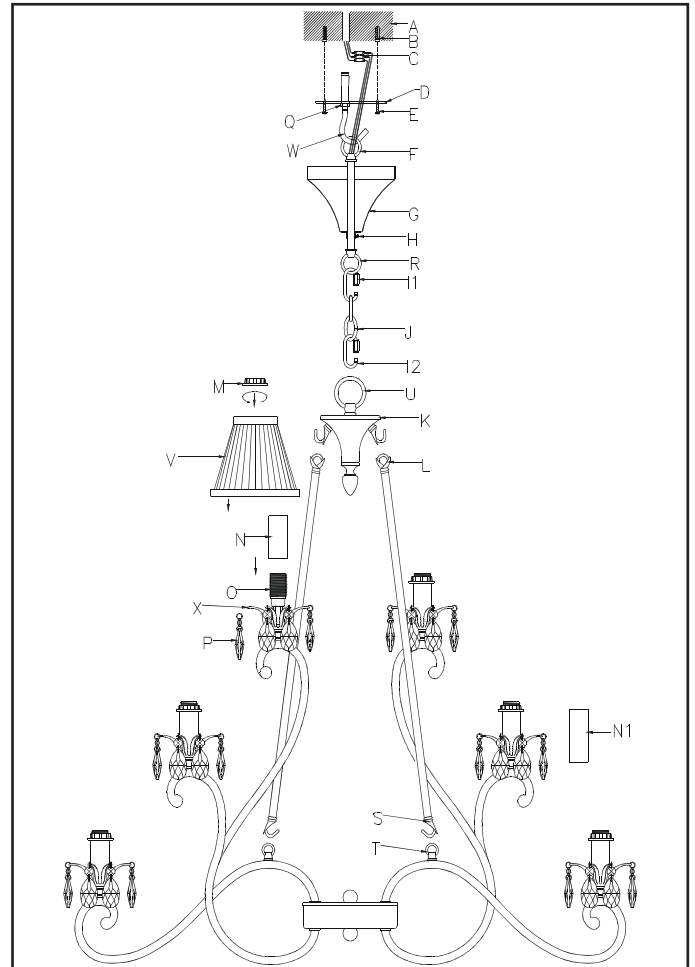


Figure 3

